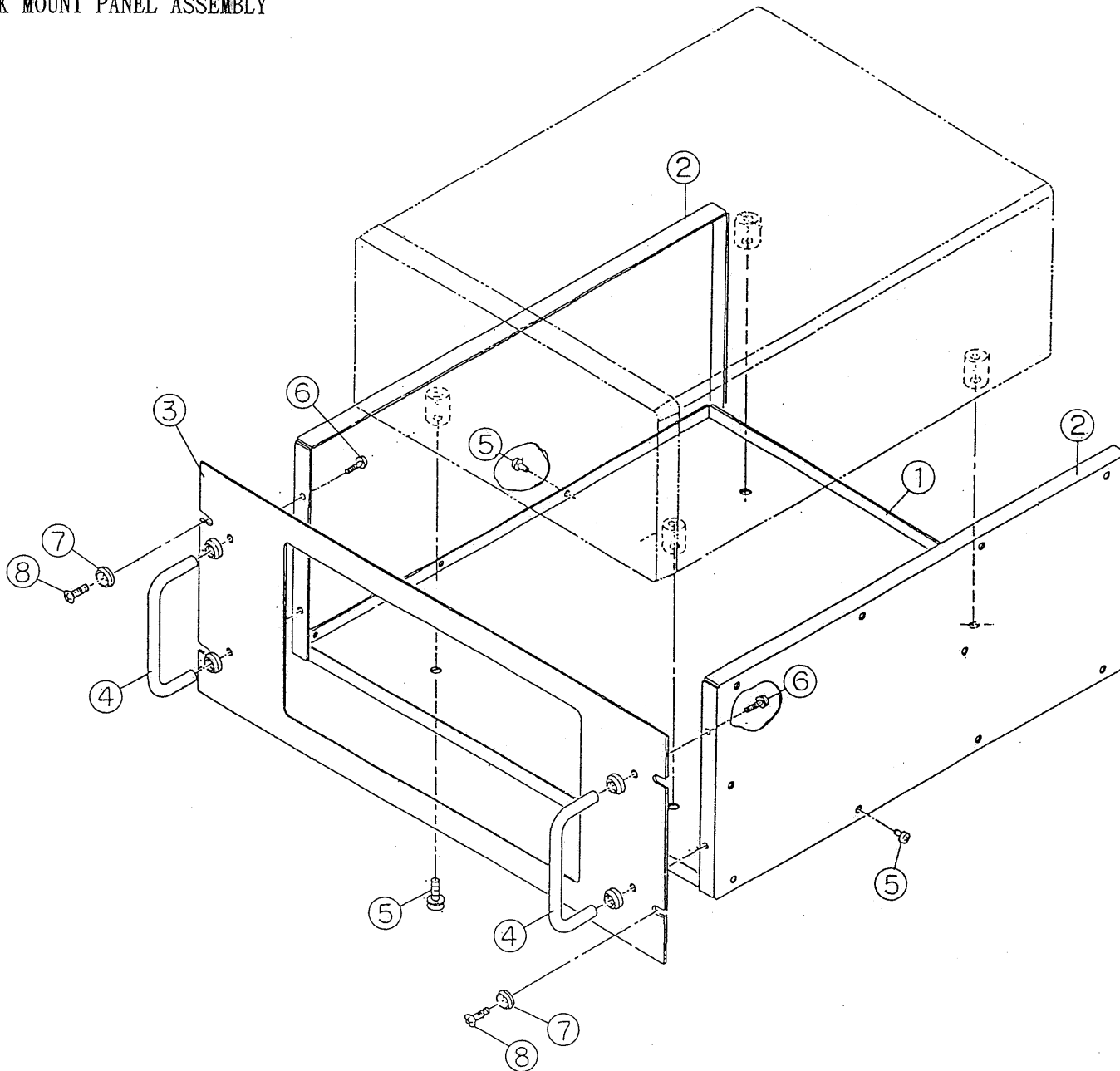


RMP 1941-7000G/6000G/5000TMG/5000G  
 PACK MOUNT PANEL ASSEMBLY



NO	NAME	QTY
①	BOTTOM PLATE	1
②	SIDE PLATE	2
③	RACK MOUNT PANEL	1
④	HANDLE SH-3-3	2
⑤	D-SEMS SCREW M3×8	12
⑥	SEMS-SW SCREW M4×12	4
⑦	CUP WASHER 5CW	4
⑧	MARU SARA SCREW M5×14	4

RMP 1941-7000G  
 RMP 1941-6000G  
 RMP 1941-5000TMG  
 RMP 1941-5000G